

# PRODUCT DATA SHEET

## BUTTON PROTECTION COVER



### DESCRIPTION

It is made of quality materials and is a solid and durable product in terms of its structure.  
It is included in Ø22mm Button Series Accessories.  
It has a long lifespan.

### FEATURES

The main body adopts zinc alloy and high-grade anti-flame plastic.  
It plays a role in protecting the button against high impacts.

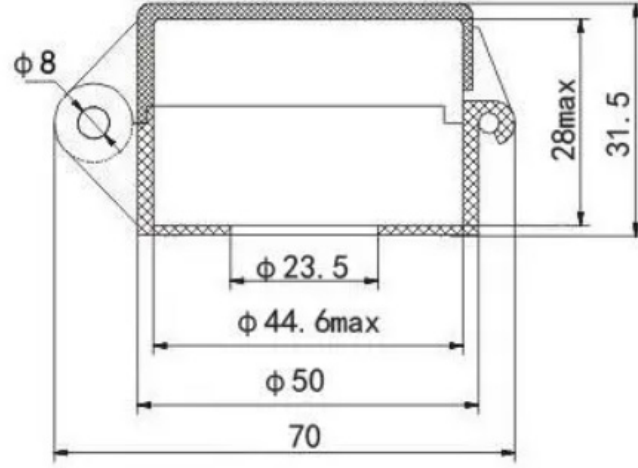
### MARKINGS



- According to CE

# PRODUCT DATA SHEET

## BUTTON PROTECTION COVER



### SECTIONS AND DIMENSIONS

PRODUCT CODE	DESCRIPTION
FH	Button Protection Cover